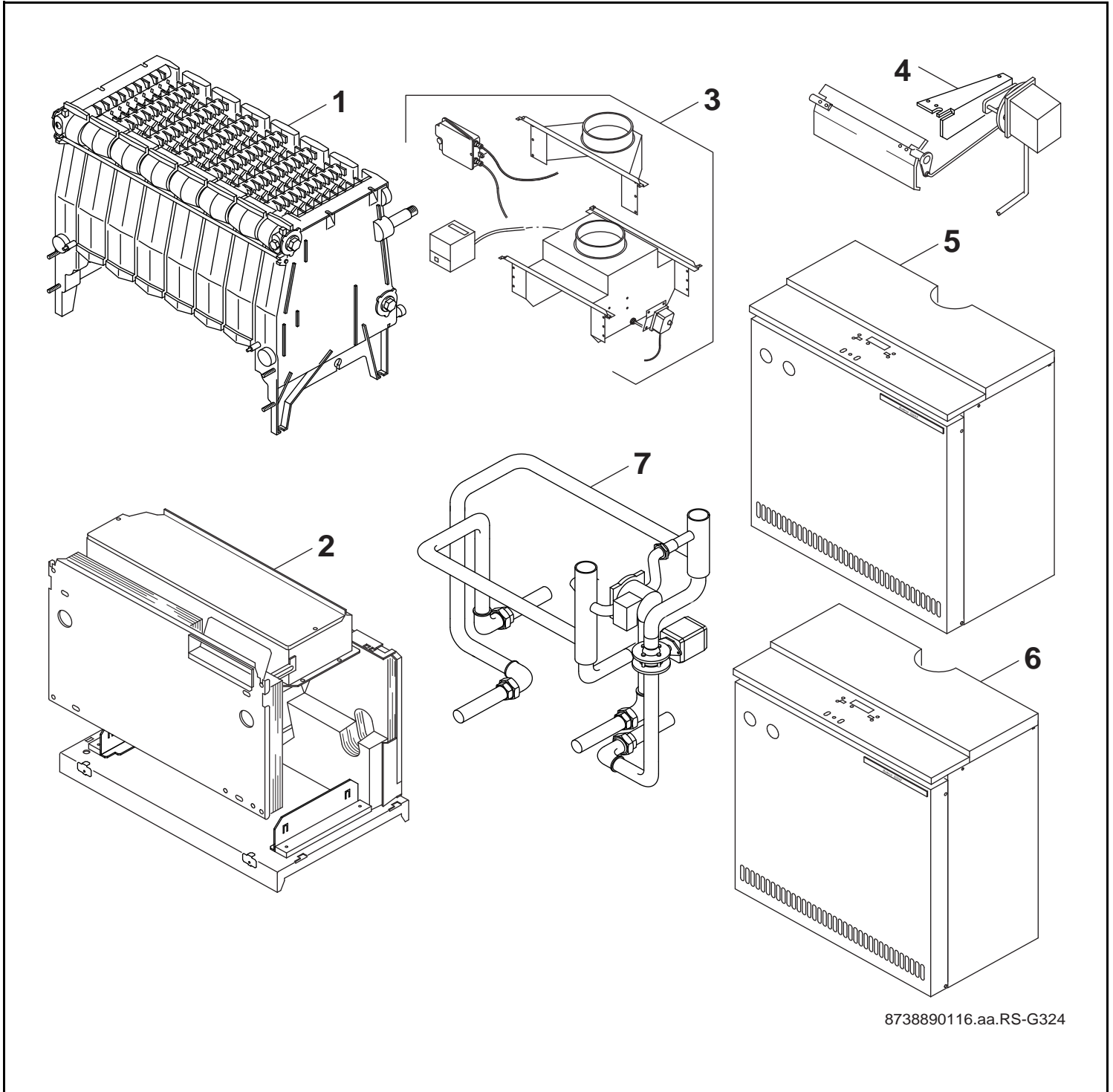


G324ZE/LZ/LPZ

73-256 kW



8738890116.aa.RS-G324

Buderus

Wichtige Hinweise

- Ersatzteile dürfen nur von einem zugelassenen Installateur eingebaut werden!
- Im Anhang finden Sie:
 - die Übersetzungen aller verwendeten Teilebezeichnungen
 - eine Übersicht der Gerätetypen und Länder, für die diese Ersatzteilliste gilt.

Important notes

- The spare parts may only be installed by an approved installer!
- In the appendix you will find:
 - a list of translations of the names of all parts used
 - a list of the models and countries to which this spare parts list applies.

Indications importantes

- L'installation des pièces de rechange doit être effectuée par un professionnel qualifié!
- Veuillez trouver en annexe:
 - les traductions de toutes les désignations des pièces utilisées
 - une vue globale des types de chaudières et des pays pour lesquels la présente liste des pièces de rechange est valable.

Informações importantes

- Peças de substituição só podem ser montadas por um técnico credenciado!
- Em anexo encontra:
 - as traduções das designações de todas as peças utilizadas.
 - lista dos aparelhos e países para os quais esta lista de peças de substituição é válida.

Avvertenze importanti

- Le parti di ricambio possono essere montate esclusivamente da personale qualificato ed in possesso dei requisiti tecnico-professionali!
- In appendice sono reperibili:
 - traduzione di ogni descrizione relativa alle varie parti di ricambio
 - elenco di sigle e codici, corrispondente ai vari paesi di destinazione.

Indicaciones importantes

- Los repuestos solamente deben ser montados por los servicios técnicos oficiales de la marca!
- En el anexo podrá encontrar:
 - la traducción de todas las denominaciones de piezas empleadas
 - una relación de los tipos de aparato y países en los que se aplica esta lista de repuestos.

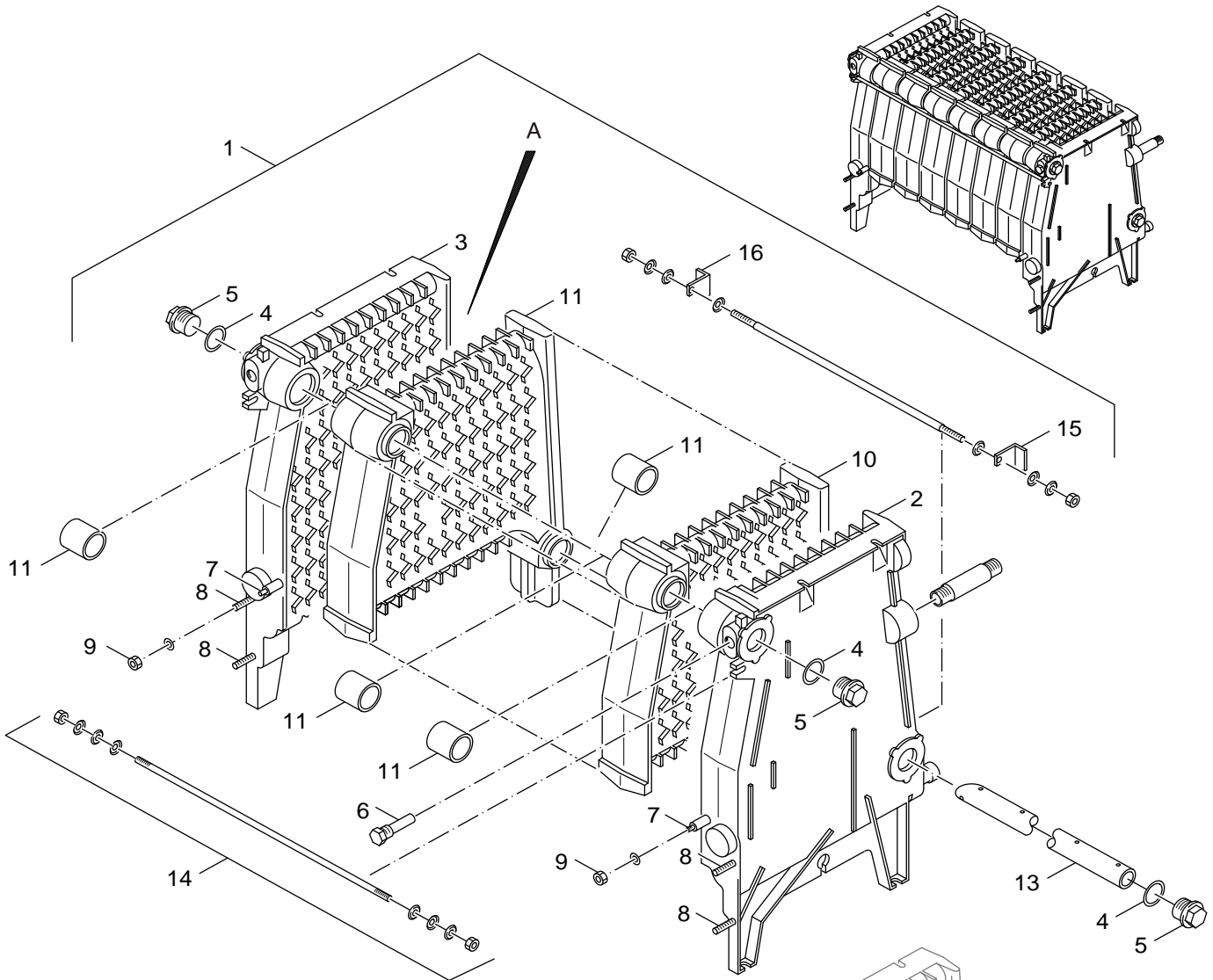
Belangrijke aanwijzing

- Onderdelen mogen alleen door een erkend installateur worden vervangen!
- In de bijlage vindt u:
 - de vertalingen van de gebruikte onderdelentekeningen
 - een overzicht van toesteltypen en de landen waarvoor deze onderdelenlijst bedoeld is.

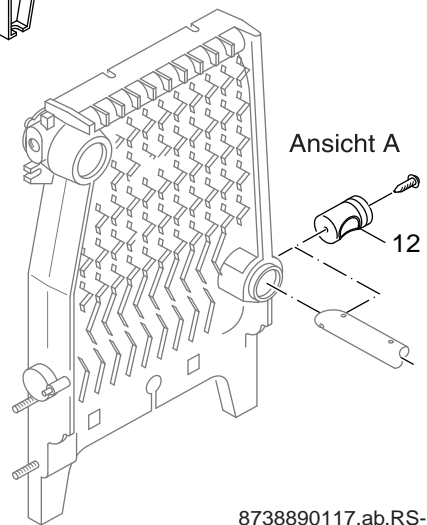
Önemli Bilgiler

- Yedek parçalar sadece yetkili tesisatçılar tarafından monte edilebilir!
- Aşağıdaki bilgileri ekli olarak bulabilirsiniz:
 - Tüm kullanılan parça tanımlarının tercümelemleri
 - Bu yedek parça listesinin geçerli olduğu tüm cihaz çeşitleri ve ülkelerin özeti.

Ersatzteilliste
Spare parts list



| | 8 Gld | 10 Gld | 12 Gld | 13 Gld |
|---------|--------|--------|--------|--------|
| G324ZE | 73 kW | 92 kW | 116 kW | 128 kW |
| G324LZ | 73 kW | 92 kW | 116 kW | 128 kW |
| G324LPZ | 71 kW | 90 kW | 110 kW | |
| G324DZE | 146 kW | 184 kW | 232 kW | 256 kW |
| G324DNE | 146 kW | 184 kW | 232 kW | 256 kW |
| G324LDZ | 146 kW | 184 kW | 232 kW | 256 kW |
| G324LDN | 146 kW | 184 kW | 232 kW | 256 kW |
| G324LPZ | 142 kW | 180 kW | 220 kW | |



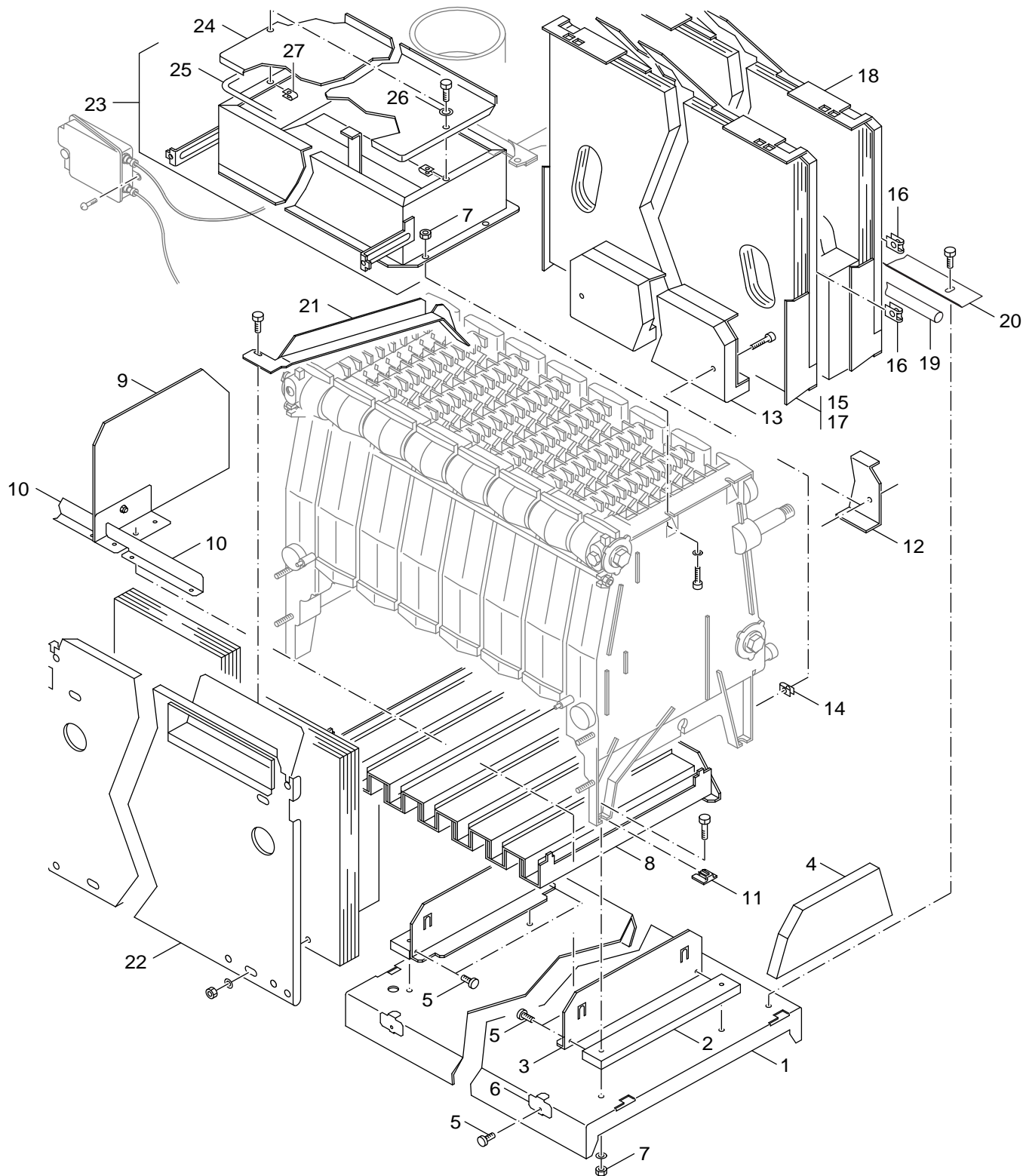
8738890117.ab.RS-Kesselblock

Kesselblock
Boiler block

G324ZE/LZ/LPZ
73-256 kW

1

Ersatzteilliste
Spare parts list



8738890118.aa.RS-Kesselblock-Anbauteile

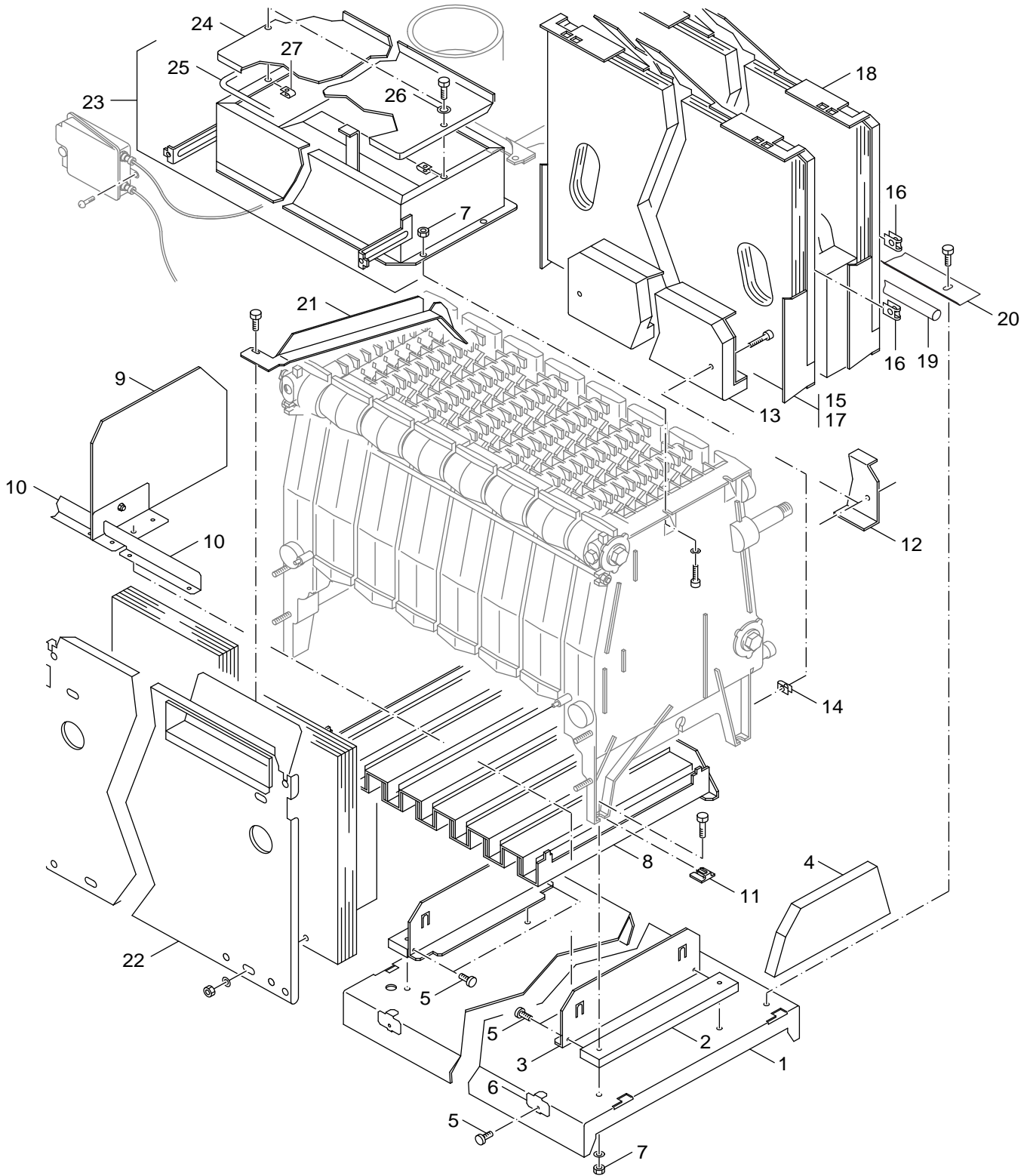
Kesselblock-Anbauteile
 Boilerblock-attachements

G324ZE/LZ/LPZ
73-256 kW

2

| Pos | Bezeichnung Description | Bestell-Nr. Ordering no. | G324 | | | | | | | | | | | | | | | | | | Bemerkungen Remarks |
|--|--|-----------------------------|------|--|--|--|--|--|--|--|--|--|--|--|--|--|--|--|--|--|------------------------|
| 1 | Bodenblech 08Gld 760mm breit | 5024146 | ■ | | | | | | | | | | | | | | | | | | |
| 1 | Bodenblech 10Gld 940mm breit | 5024148 | ■ | | | | | | | | | | | | | | | | | | |
| 1 | Bodenblech 12Gld 1120mm breit G334X | 5024150 | ■ | | | | | | | | | | | | | | | | | | |
| 1 | Bodenblech 13Gld 1210mm breit G304/324 | 5404302 | ■ | | | | | | | | | | | | | | | | | | |
| 2 | Kesselaufgabe | 5015257 | ■ | | | | | | | | | | | | | | | | | | |
| 3 | Strahlungsschutzblech seitl G324 8-13Gld | 11011115 | ■ | | | | | | | | | | | | | | | | | | |
| 4 | Wärmeschutzplatte | 5015273 | ■ | | | | | | | | | | | | | | | | | | |
| 5 | Flachkopfschraube ST3,9x9,5 A3T (10x) | 7 747 026 999 | ■ | | | | | | | | | | | | | | | | | | |
| 6 | Winkel 18/40/9/2 Bodenschutz | 905237 | ■ | | | | | | | | | | | | | | | | | | |
| 7 | 6kt-Mutter ISO4032 M8 8 A3K | 82585180 | ■ | | | | | | | | | | | | | | | | | | |
| 8 | Bodenschutzblech G324 8Gld kpl | 5015104 | ■ | | | | | | | | | | | | | | | | | | |
| 8 | Bodenschutzblech G324 10Gld kpl | 5015106 | ■ | | | | | | | | | | | | | | | | | | |
| 8 | Bodenschutzblech G324 12Gld kpl | 5015108 | ■ | | | | | | | | | | | | | | | | | | |
| 8 | Bodenschutzblech G324 13Gld kpl | 5015109 | ■ | | | | | | | | | | | | | | | | | | |
| 8 | Bodenschutz G224/G324 8Gld kpl | 5015850 | ■ | | | | | | | | | | | | | | | | | | |
| 8 | Bodenschutz G224/G324 10Gld kpl | 5015854 | ■ | | | | | | | | | | | | | | | | | | |
| 8 | Bodenschutz G224/G324 12Gld kpl | 5015858 | ■ | | | | | | | | | | | | | | | | | | |
| 8 | Bodenschutz G224/G324 13Gld kpl | 5015860 | ■ | | | | | | | | | | | | | | | | | | |
| 9 | Feuerraumtrennwand G334 V3 | 63034039 | ■ | | | | | | | | | | | | | | | | | | |
| 10 | Luftleitblech 8Gld 258breit | 5015274 | ■ | | | | | | | | | | | | | | | | | | |
| 10 | Luftleitblech 8/10Gld 348breit | 5015275 | ■ | | | | | | | | | | | | | | | | | | |
| 10 | Luftleitblech G324LP 10/12Gld 438breit | 5015276 | ■ | | | | | | | | | | | | | | | | | | |
| 10 | Luftleitblech G324LP 12/14Gld 528breit | 5015277 | ■ | | | | | | | | | | | | | | | | | | |
| 11 | Gliedfußschuh | 5509800 | ■ | | | | | | | | | | | | | | | | | | |
| 12 | Abschirmblech hi 8Gld | 5512532 | ■ | | | | | | | | | | | | | | | | | | |
| 12 | Abschirmblech hi 10Gld | 5512534 | ■ | | | | | | | | | | | | | | | | | | |
| 12 | Abschirmblech hi 12Gld | 5512536 | ■ | | | | | | | | | | | | | | | | | | |
| 12 | Abschirmblech hi 13Gld | 5512538 | ■ | | | | | | | | | | | | | | | | | | |
| 13 | Abschirmblech hi 8Gld G324 kpl | 5512432 | ■ | | | | | | | | | | | | | | | | | | |
| 13 | Abschirmblech hi 10Gld G324 kpl | 5512434 | ■ | | | | | | | | | | | | | | | | | | |
| 13 | Abschirmblech hi 12Gld G324 kpl | 5512436 | ■ | | | | | | | | | | | | | | | | | | |
| 13 | Abschirmblech hi 13Gld G324 kpl | 5512438 | ■ | | | | | | | | | | | | | | | | | | |
| 14 | Schnappmutter 4,8-SNU2012 | 5512700 | ■ | | | | | | | | | | | | | | | | | | |
| 15 | Rückwand G304 8Gld kpl | 5015570 | ■ | | | | | | | | | | | | | | | | | | |
| 15 | Rückwand G304 10Gld kpl | 5015572 | ■ | | | | | | | | | | | | | | | | | | |
| 15 | Rückwand G304 12Gld kpl | 5015574 | ■ | | | | | | | | | | | | | | | | | | |
| 15 | Rückwand G304 13Gld kpl | 5015575 | ■ | | | | | | | | | | | | | | | | | | |
| 16 | Schnappmutter 3,9-A3K-SNU5743 | 5834364 | ■ | | | | | | | | | | | | | | | | | | |
| 17 | Rückwand G324/G224 8Gld kpl | 5015680 | ■ | | | | | | | | | | | | | | | | | | |
| 17 | Rückwand G324/G224 10Gld kpl | 5015682 | ■ | | | | | | | | | | | | | | | | | | |
| 17 | Rückwand G324/G224 12Gld kpl | 5015684 | ■ | | | | | | | | | | | | | | | | | | |
| 17 | Rückwand G324/G224 13Gld kpl | 5015685 | ■ | | | | | | | | | | | | | | | | | | |
| 18 | Rückwand G324 8Gld kpl | 5015288 | ■ | | | | | | | | | | | | | | | | | | |
| 18 | Rückwand G324 10Gld kpl | 5015290 | ■ | | | | | | | | | | | | | | | | | | |
| 18 | Rückwand G324 12Gld kpl | 5015292 | ■ | | | | | | | | | | | | | | | | | | |
| 19 | Dichtschnur GP 6x1500mm | 63020956 | ■ | | | | | | | | | | | | | | | | | | |
| 20 | Winkel 26/9/750 | 5015300 | ■ | | | | | | | | | | | | | | | | | | |
| 20 | Winkel 26/9/930 | 5015302 | ■ | | | | | | | | | | | | | | | | | | |
| 20 | Winkel 26/9/1110 | 5015304 | ■ | | | | | | | | | | | | | | | | | | |
| 21 | Kabelkanal G324 kpl | 11011152 | ■ | | | | | | | | | | | | | | | | | | |
| 22 | Zwischenwand G324 8Gld 786 br kpl | 5015600 | ■ | | | | | | | | | | | | | | | | | | |
| 22 | Zwischenwand G324 10Gld 966 br kpl | 5015602 | ■ | | | | | | | | | | | | | | | | | | |
| G324ZE/LZ/LPZ 73-256 kW | | | | | | | | | | | | | | | | Kesselblock-Anbauteile Boilerblock-attachements | | | | | 2 |

Ersatzteilliste
Spare parts list



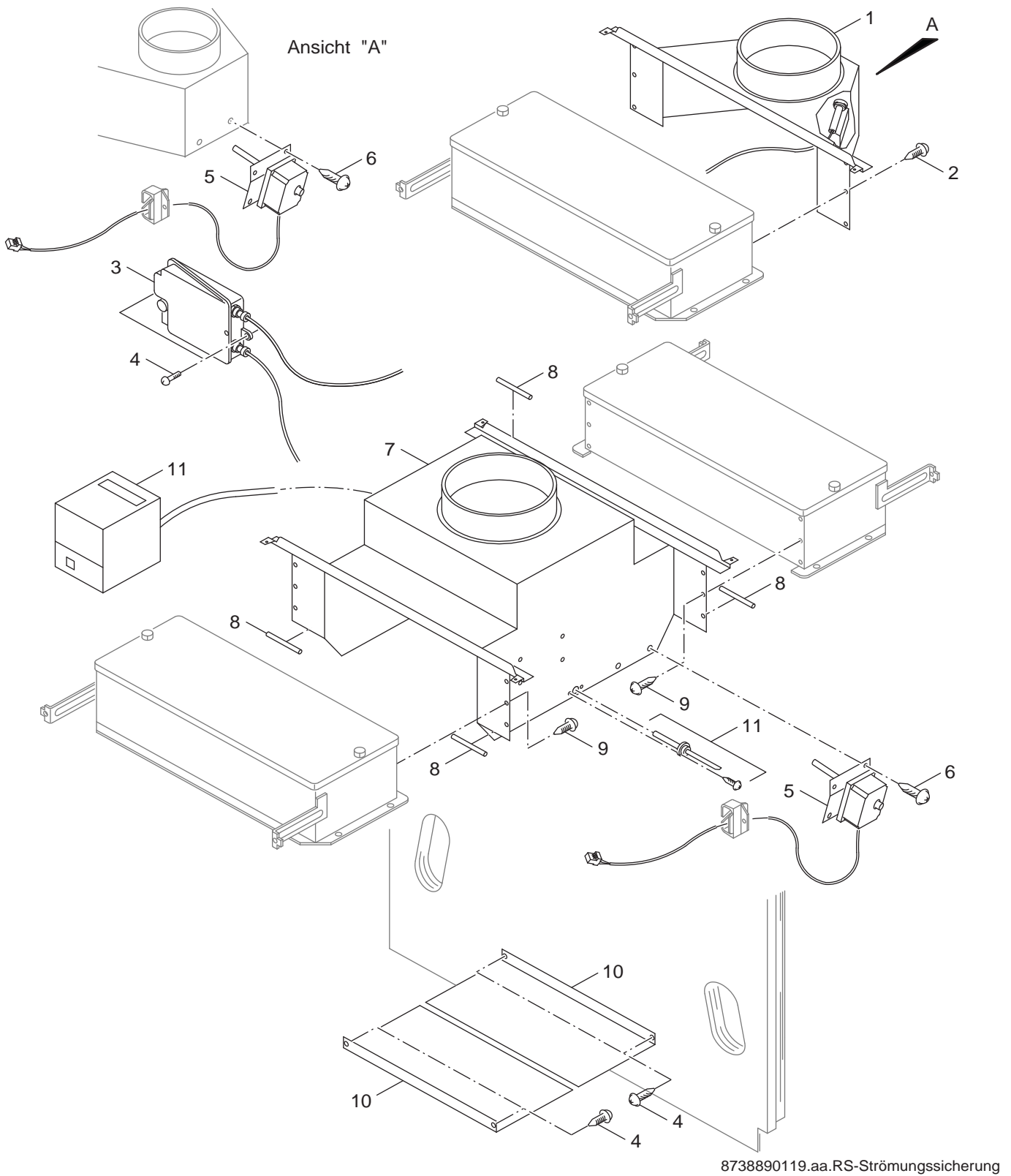
8738890118.aa.RS-Kesselblock-Anbauteile

Kesselblock-Anbauteile
Boilerblock-attachements

G324ZE/LZ/LPZ
73-256 kW

2

Ersatzteilliste
Spare parts list

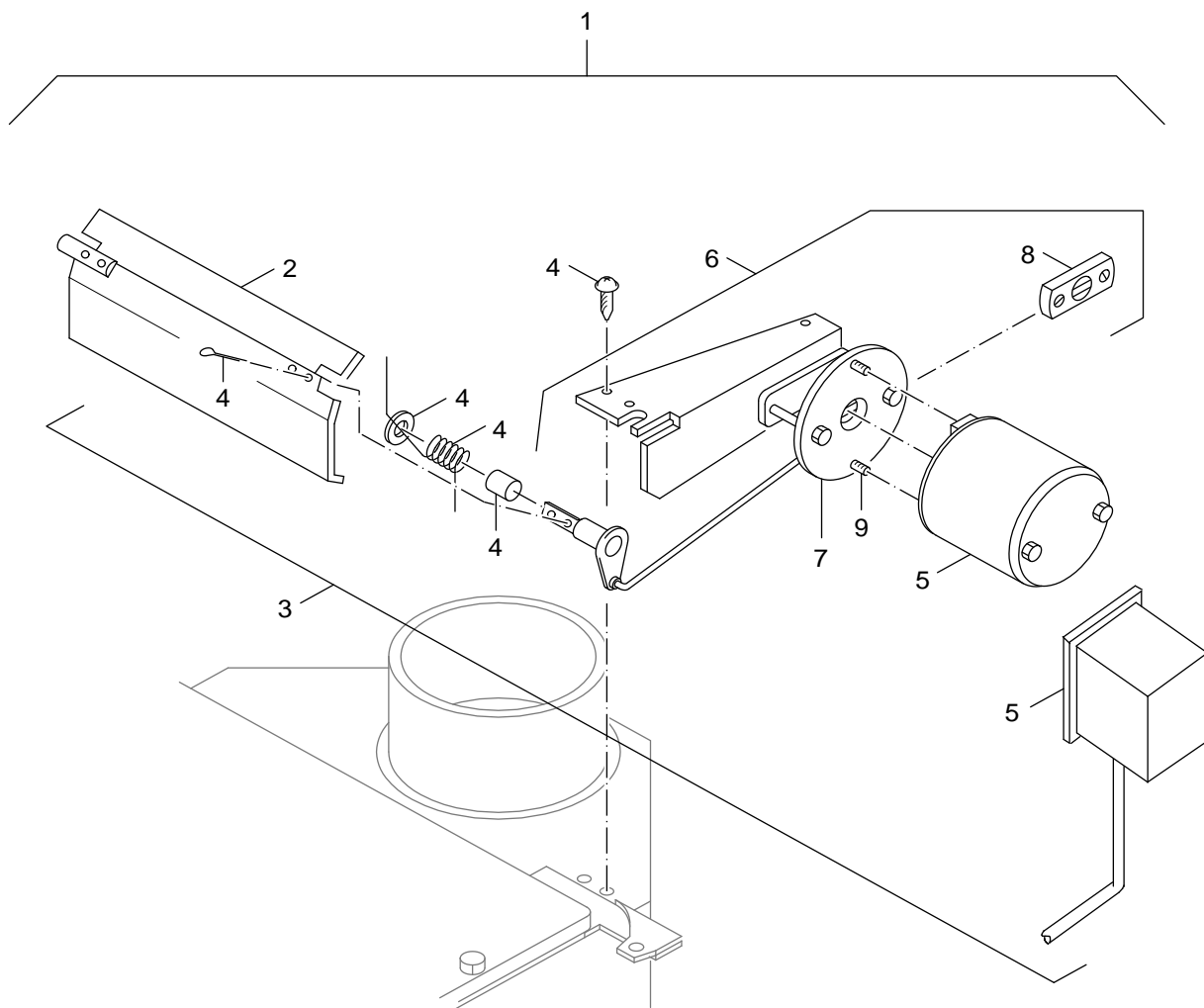


Strömungssicherung
Diverter

G324ZE/LZ/LPZ
73-256 kW

3

Ersatzteilliste
Spare parts list



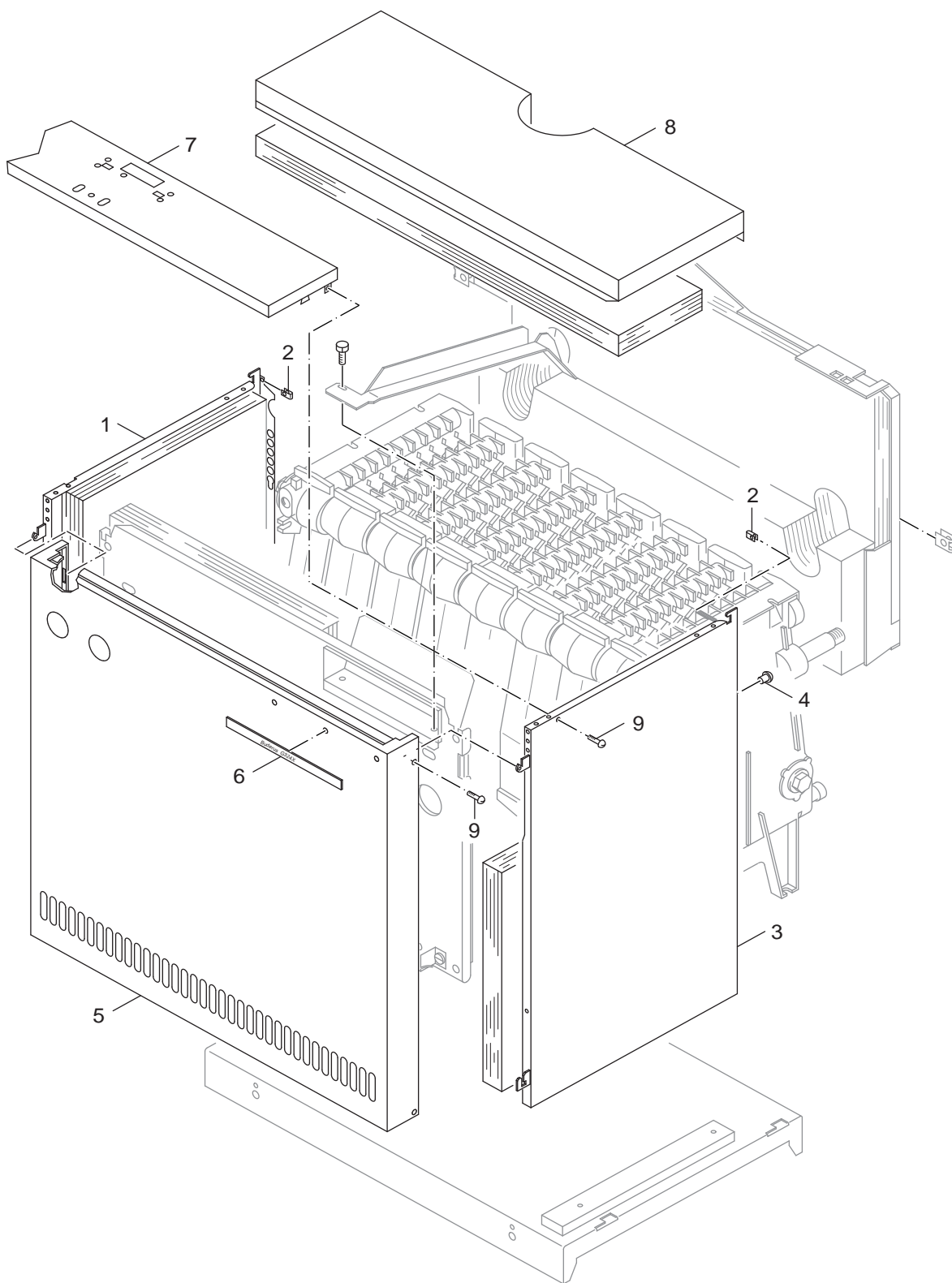
6720906004.aa.RS-Absperrklappe

Abgassperklappe
 Vent damper

G324ZE/LZ/LPZ
73-256 kW

4

Ersatzteilliste
Spare parts list



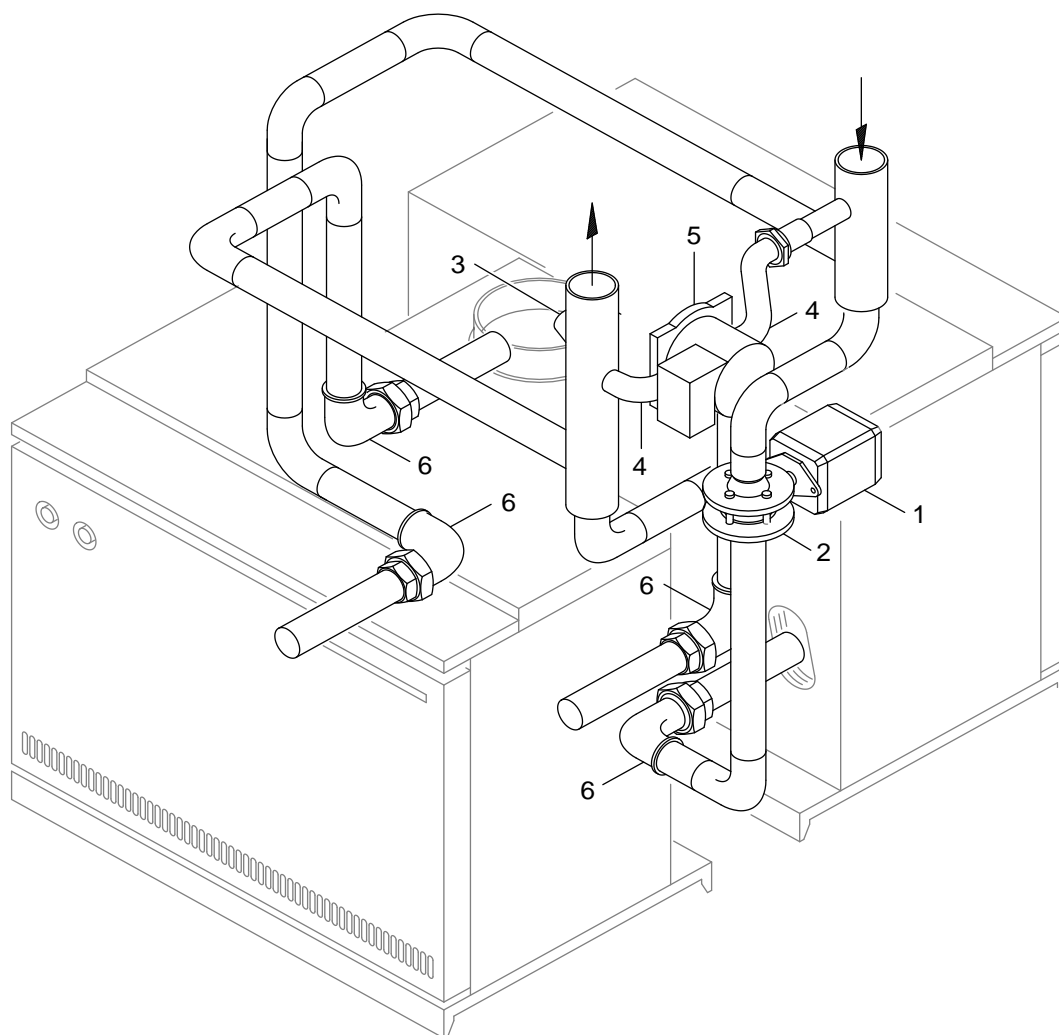
6720906005.aa.RS-Verkleidung

Verkleidung
Housing

G324ZE/LZ/LPZ
73-256 kW

6

Ersatzteilliste
Spare parts list



6720906006.aa.RS-Kesselanschluss-Set

Kesselanschluß-Set Doppelkessel
Boiler connection

G324ZE/LZ/LPZ
73-256 kW

7

| Pos | Bezeichnung Description | Bestell-Nr. Ordering no. | | | | | | | | | | | | | | | | | | | Bemerkungen Remarks |
|----------------------|---|-----------------------------|------|--|--|--|--|--|--|--|--|--|--|--|--|--|--|--|--|----------|------------------------|
| | | | G324 | | | | | | | | | | | | | | | | | | |
| 1 | Stellmotor AR30W23 230V 90° 120S | 8 718 573 743 0 | ■ | | | | | | | | | | | | | | | | | | |
| 2 | Ringdrosselklappe D14x40 m Anbaut | 63010405 | ■ | | | | | | | | | | | | | | | | | | |
| 3 | Tauchhülse R3/4"x100mm | 5446065 | ■ | | | | | | | | | | | | | | | | | | |
| 4 | Kugelhahn 1" IG m Überw-Mutter u Dichtg | 5447122 | ■ | | | | | | | | | | | | | | | | | | |
| 5 | Pumpe UP25-50 180mm-6H kpl | 5354630 | ■ | | | | | | | | | | | | | | | | | | |
| 6 | Dichtung D46x62x2, DVGW-zugel | 5489368 | ■ | | | | | | | | | | | | | | | | | | |
| | Anbauteile f.Drosselklappe | 5772800 | ■ | | | | | | | | | | | | | | | | | | |
| G324ZE/LZ/LPZ | | | | | | | | | | | | | | | | Kesselanschluß-Set Doppelkessel Boiler connection | | | | 7 | |
| 73-256 kW | | | | | | | | | | | | | | | | | | | | | |

Übersetzungsliste
List of translations

| Pos | Description |
|----------|--|
| 1 | Element of construction |
| 1 | Boiler block 8Gld w botten Rep |
| 2 | Section End R.h. |
| 3 | Section End L.h. |
| 4 | Gasket D41,7x55x1,5mm AFM 34, white |
| 5 | Dummy plug G1 1/4" R.h. |
| 6 | Sensor well R3/4"x100mm |
| 7 | Threaded stud DIN939 M8x35 5,6 |
| 8 | Stud DIN939 M8x30 5.6 |
| 9 | Hex nut ISO4032 M8 8 A3K |
| 10 | Section Centre |
| 11 | Boiler fitting 48/38 Sz 0a repl. pack |
| 12 | Feed pipe connection part |
| 13 | Feed pipe 664mm long |
| 14 | Tie rod kit M10x705mm |
| 15 | Fastening angle R.h. |
| 16 | Fastening angle L.h. |
| | Boiler kit WM-W009, box a 1,85kg |
| | Piping bag |
| | Sealant linseed oil graphit 450g box sp |
| 2 | Element of construction |
| 1 | Non-combustible base 760mm |
| 2 | Boiler support |
| 3 | Radiation protection plate |
| 4 | Heat protection plate |
| 5 | Pan-head screw ST3,9x9,5 A3T (10x) |
| 6 | Angle 18/40/9/2 bottom protection |
| 7 | Hex nut ISO4032 M8 8 A3K |
| 8 | Bottom protection for G 324ZE 8 Sections |
| 9 | Combustion Chamber Partition |
| 10 | Air deflector plate 258mm wide |
| 11 | Section mount cover |
| 12 | Screening plate for G 324ZE 8 Sections |
| 13 | Screening plate for G 324LZ 8 Sections |
| 14 | Snap nut 4,8-SNU2012 |
| 15 | Rear panel for G 324ZE 8 Sections |
| 16 | Snap nut 3.9-A3K-SNU5743 |
| 17 | Rear panel for G 324LZ 8 Sections |
| 18 | Rear panel for G 324LPZ 8 Sections |
| 19 | Rope seal 6x1500 GP |
| 20 | Angle 26/9/750 |
| 21 | Cable channel |
| 22 | Partition wall 786mm wide 8 Sections |
| 23 | Flue gas header 670mm wide |
| 24 | Clean-out cover 677mm wide |
| 25 | Packing cords GP 6x10000mm |
| 26 | Washer DIN9021 A6,4 A3K |
| 27 | Crowned nut M6-A3F-MCU 5315 |
| | Gasket kit PK-W11 310ml cartridge |
| | Sealant brown 310ml |
| 3 | Element of construction |
| 1 | Draught hood 786mm wide 8 Sections |
| 2 | Pan-head screw ST3,9x9,5 A3T (10x) |
| 3 | Flue gas monitor AW 40/65 |
| 4 | Installation material Flue gas monitor |
| 5 | Flue gas monitor AW10 |
| 6 | Self tapping screw DIN7981 C ST3,5x9,5 |

Bosch Thermotechnik GmbH
Sophienstraße 30-32
D-35576 Wetzlar
www.buderus.de

Buderus